

**PLEASE CHECK WWW.MOLEX.COM FOR LATEST PART INFORMATION**

**Part Number:** **0987801018**  
**Status:** **Active**  
**Description:** 2.54mm (.100") Pitch, Male Header, PA 4.6, 6 Circuits, Dual Row, Black

**Documents:**

[Drawing \(PDF\)](#) [RoHS Certificate of Compliance \(PDF\)](#)

**General**

Product Family Crimp Housings  
 Series 98780  
 Product Name N/A

**Physical**

Circuits (maximum) 6  
 Gender Female  
 Glow-Wire Compliant No  
 Lock to Mating Part Yes  
 Number of Rows 2  
 Packaging Type Bag  
 Panel Mount No  
 Pitch - Mating Interface (in) 0.100 In  
 Pitch - Mating Interface (mm) 2.54 mm  
 Pitch - Term. Interface (in) 0.100 In  
 Pitch - Term. Interface (mm) 2.54 mm  
 Polarized to Mating Part Yes  
 Ports 1  
 Stackable No  
 Temperature Range - Operating -40°C to +80°C

**Solder Process Data**

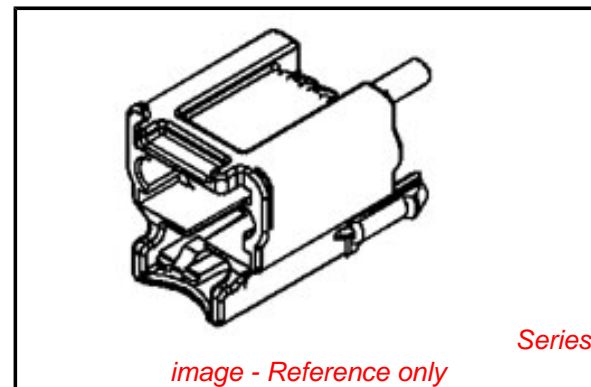
Duration at Max. Process Temperature (seconds) 40  
 Lead-free Process Capability SMC & Wave Capable (TH only)  
 Max. Cycles at Max. Process Temperature 1  
 Process Temperature max. C 265

**Material Info**

Old Part Number 18818EV6F8

**Reference - Drawing Numbers**

Sales Drawing SD-98787-001



**EU RoHS**

**ELV and RoHS  
 Compliant**  
**REACH SVHC**  
 Not Reviewed  
**Halogen-Free  
 Status**  
**Not Reviewed**

**China RoHS**



**Need more information on product  
 environmental compliance?**

Email [productcompliance@molex.com](mailto:productcompliance@molex.com)  
 For a multiple part number RoHS Certificate of  
 Compliance, [click here](#)

Please visit the [Contact Us](#) section for any  
 non-product compliance questions.

**Search Parts in this Series**

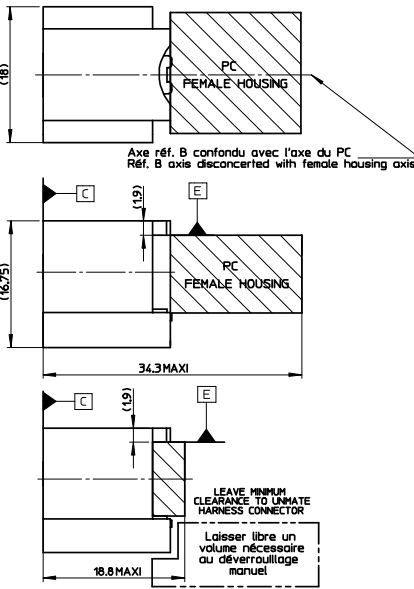
98780Series

**Mates With**

987861011 MOX Receptacle Housing

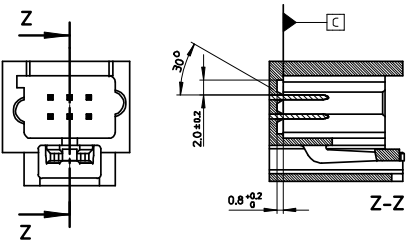
OVERALL DIMENSIONS

ENCOUBREMENT



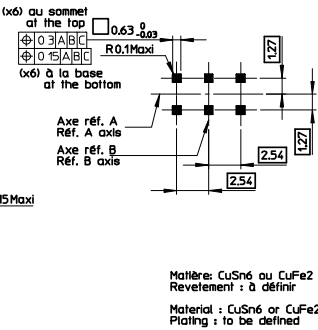
VARIANT PINS LOCATION

VARIANTE IMPLANTATION LANGUETTES

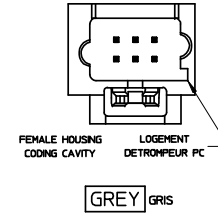
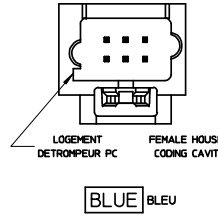
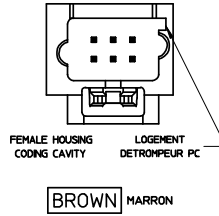
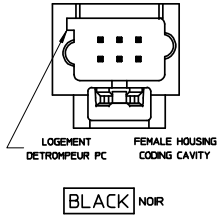


PINS POSITION

POSITION DES LANGUETTES

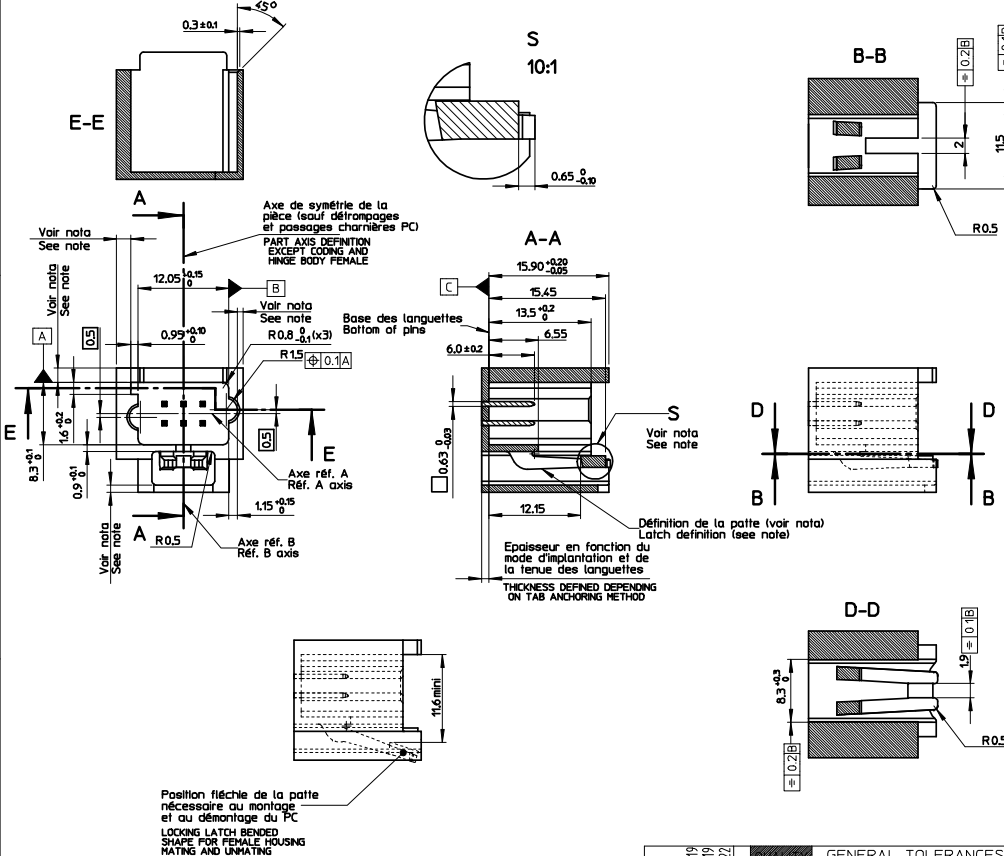


CODINGS / DETROMPAGES



BLACK CODING SHOWN

DETROMPAGE NOIR REPRESENTE



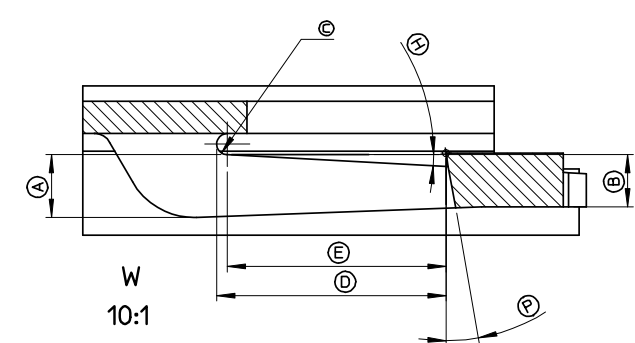
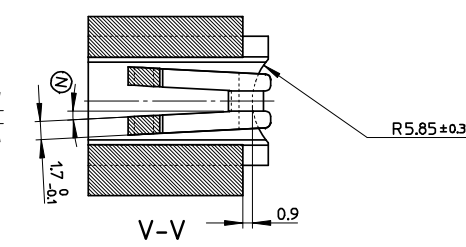
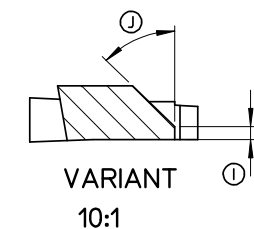
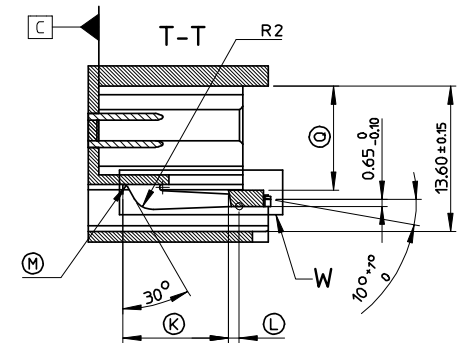
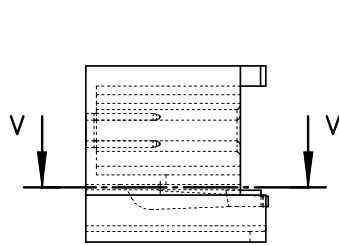
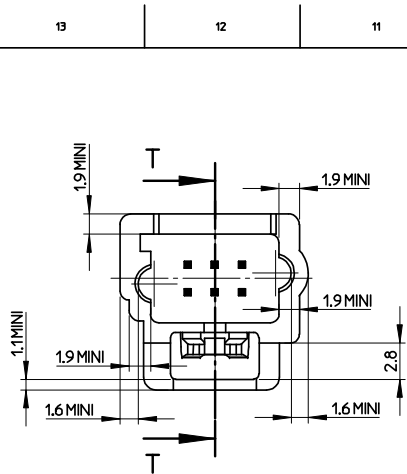
NOTA :  
1 - COTATION ET GEOMETRIE A DEFINIR EN FONCTION DE LA MATIERE (VOIR PLANCHE 2)

NOTE :  
1 - DIMENSIONS AND GEOMETRY TO BE DEFINED ACCORDING MATERIAL (SEE SHEET 2)

MODIFICATIONS

REV.	DESCRIPTIONS	NAME	DATE
A	X-RELEASED	PBO	07/03/15
B	SQUARE PINS: 0.63 0/-0.03 WAS 0.63 0/-0.30.	PGR	07/06/01
B1	SEE SHEET 2/2	VG	08/06/28

<p>REVIEW NOTE</p> <p>EC NO: GZ008-0509 2008/08/19 DRAWN: VIGIER N 2008/08/19 CHKD: JUDUCLOS 2008/08/22 APPROV: LESTICKEIR</p> <p>B1</p>	<p>QUALITY SYMBOLS</p> <p>DESCRIPTION</p>	<p>GENERAL TOLERANCES (UNLESS SPECIFIED)</p> <p>mm      INCH</p> <p>4 PLACES ± --- ± --- 3 PLACES ± --- ± --- 2 PLACES ± --- ± --- 1 PLACE ± 0.1 ± --- ANGULAR ± 1°</p>		<p>DIMENSION STYLE</p> <p>MM ONLY</p>	<p>SCALE</p> <p>3:1</p>	<p>DESIGN UNITS</p> <p>METRIC</p>	<p>FIRST ANGLE PROJECTION</p>
		<p>DRAFT WHERE APPLICABLE MUST REMAIN WITHIN DIMENSIONS</p>		<p>DRAWN BY</p> <p>PBOSQUAIN</p>	<p>DATE</p> <p>2007/03/15</p>	<p>TITLE</p> <p>6 CKT INTERFACE FEMALE HOUSING</p>	
		<p>APPROVED BY</p> <p>LSTICKEIR</p>		<p>DATE</p> <p>2007/03/15</p>	<p>MATERIAL NO.</p> <p>N/A</p>		<p>DOCUMENT NO.</p> <p>SD-98787-001</p>
		<p>SIZE</p> <p>A1</p>		<p>THIS DRAWING CONTAINS INFORMATION THAT IS PROPRIETARY TO MOLEX INCORPORATED AND SHOULD NOT BE USED WITHOUT WRITTEN PERMISSION</p>			
		<p>SHEET NO.</p> <p>1 OF 2</p>		<p>MATERIAL NO.</p> <p>SD-98787-001</p>			



	PBT	PA 6.6	PA 4.6 30% FV PA 4.6 GF 30%
A	1.8 <sup>0</sup> <sub>-0.1</sub>	2.1 <sup>0</sup> <sub>-0.1</sub>	1.75 <sup>0</sup> <sub>-0.1</sub>
B	1.5 <sup>0</sup> <sub>-0.1</sub>	1.5 <sup>0</sup> <sub>-0.1</sub>	0.85 ± 0.15
C	∅6 <sup>+0.1</sup> <sub>0</sub>	∅6 <sup>+0.1</sup> <sub>0</sub>	∅1 ± 0.1
D			9.66 ± 0.1
E	6.15	6.15	
H	3°	3°	0° ± 30°
I	Pas de chanfrein	Pas de chanfrein	0.3 ± 0.1
J	No chamfer	No chamfer	30° ± 2°
K	9.6 ± 0.1	9.6 ± 0.1	12.81 ± 0.1
L	1 ± 0.1	1 ± 0.1	-
M	R0.5 ± 0.1	R0.5 ± 0.1	-
N	3° ± 1°	3° ± 1°	2.3° ± 1°
P	10° <sup>+0</sup> <sub>0</sub>	10° <sup>+0</sup> <sub>0</sub>	13°
Q	9.75 ± 0.1	9.75 ± 0.1	9.45 ± 0.1

NOTA :  
 1 - LES COTES SPECIFIEES SUR CETTE PLANCHE SONT VALABLES UNIQUEMENT POUR INFORMATION  
 2 - ELLES DOIVENT ETRE VALIDEES POUR CHAQUE APPLICATION DANS LE RESPECT DU C.D.C. FONCTIONNEL

NOTES :  
 1 - DIMENSIONS ON THIS SHEET ARE JUST FOR INFORMATION  
 2 - THEY MUST BE APPROVED FOR EACH APPLICATION IN ORDER TO MEET SPECIFICATION

MODIFICATIONS

REV.	DESCRIPTIONS	NAME	DATE
A	X-RELEASED	PBO	07/03/15
B	REVISION UPDATE FOLLOWING SHEET 1 REVISION.	PGR	07/06/01
B1	DIM A for the PA 4.6 : FROM 7.75 0/-0.1 TO 1.75 0/-0.1	VG	08/06/26

<b>REVIEW NOTE</b> EC NO: GZ008-0509 DRAWN: VGUERIN 2008/08/19 CHKD: JDUCLLOS 2008/08/19 APPR: LSTICKEIR 2008/08/22	<b>QUALITY SYMBOLS</b> 	GENERAL TOLERANCES (UNLESS SPECIFIED)		DIMENSION STYLE <b>MM ONLY</b>	SCALE <b>3:1</b>	DESIGN UNITS <b>METRIC</b>	FIRST ANGLE PROJECTION		
		4 PLACES ± --- ± --- 3 PLACES ± --- ± --- 2 PLACES ± --- ± --- 1 PLACE ± 0.1 ± ---	mm INCH	DRAWN BY PBOSQUAIN 2007/03/15	DATE	TITLE <b>6 CKT INTERFACE FEMALE HOUSING</b>			
		ANGULAR ± 1°	DRAFT WHERE APPLICABLE MUST REMAIN WITHIN DIMENSIONS	CHECKED BY JDUCLLOS 2007/03/15	DATE	MOLEX INCORPORATED			
		APPROVED BY LSTICKEIR 2007/03/15	DATE	MATERIAL NO.	DATE				